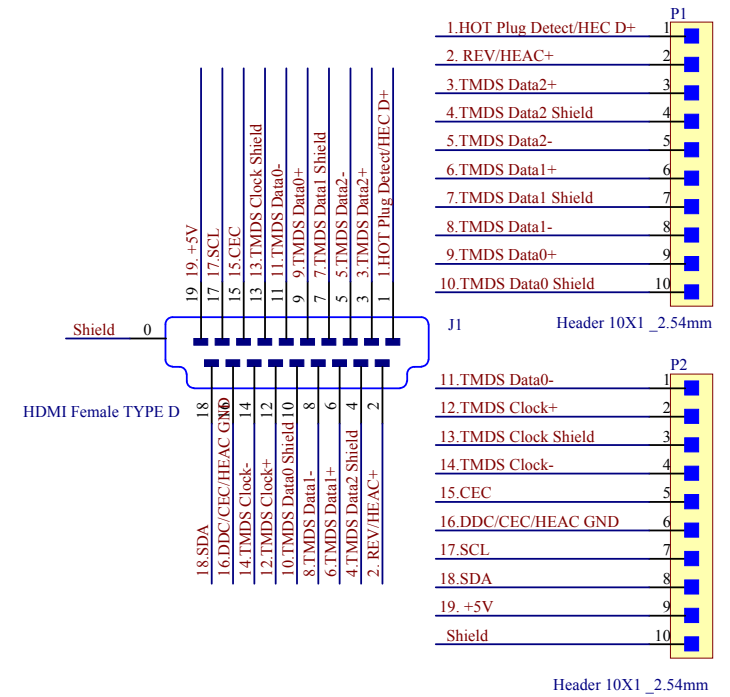
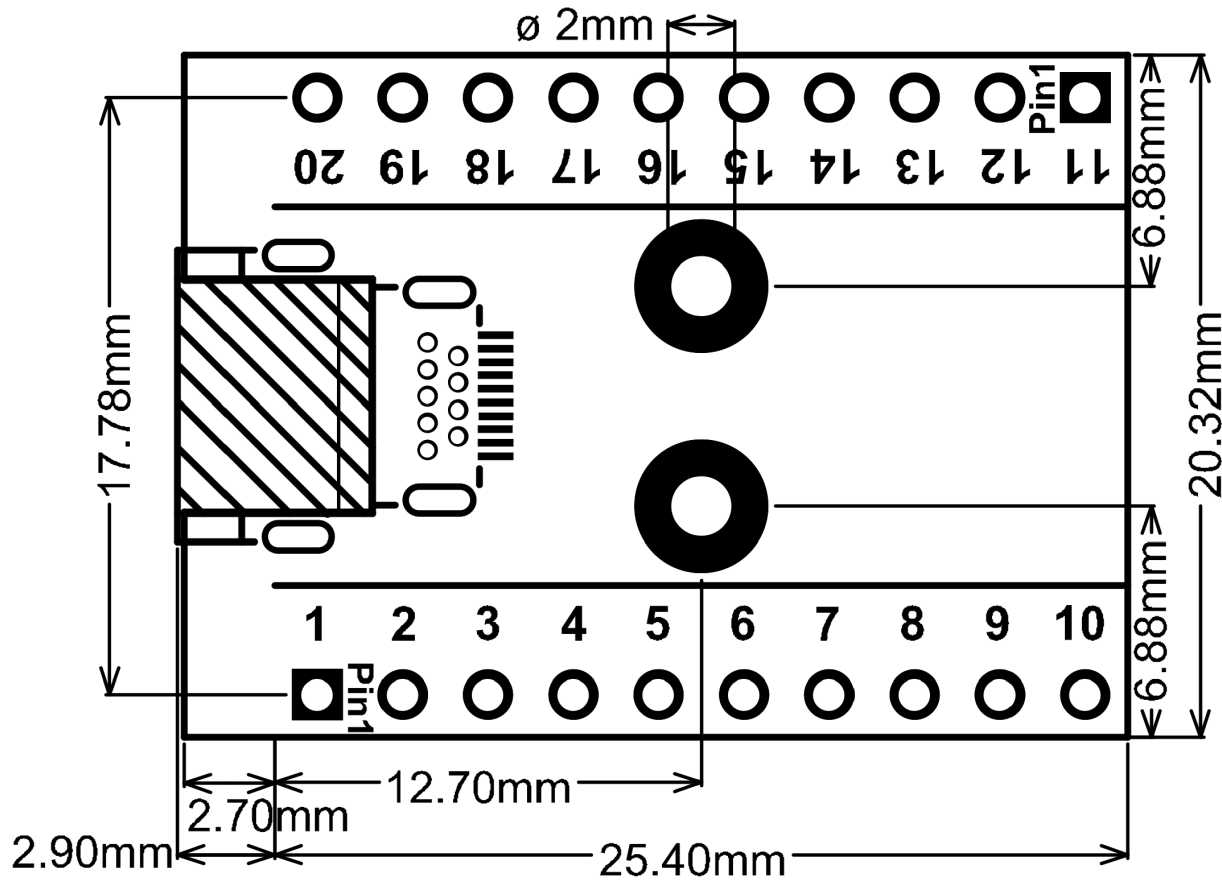


* PCB 1.2mm THICKNESS



HDMI-DF-BO-V1A Schematic Diagram



Title HDMI Type D Female Breakout		
Size A4	Number HDMI-DF-BO-V1A	Revision 1A
Date: 6/11/2015	Sheet of 30	
File: C:\Users\... \HDMI-DF-BO-V1A Drawing.sch		
Drawn By: www.eLabGuy.com		

HDMI-DF-BO-V1A PCB outline Drawing